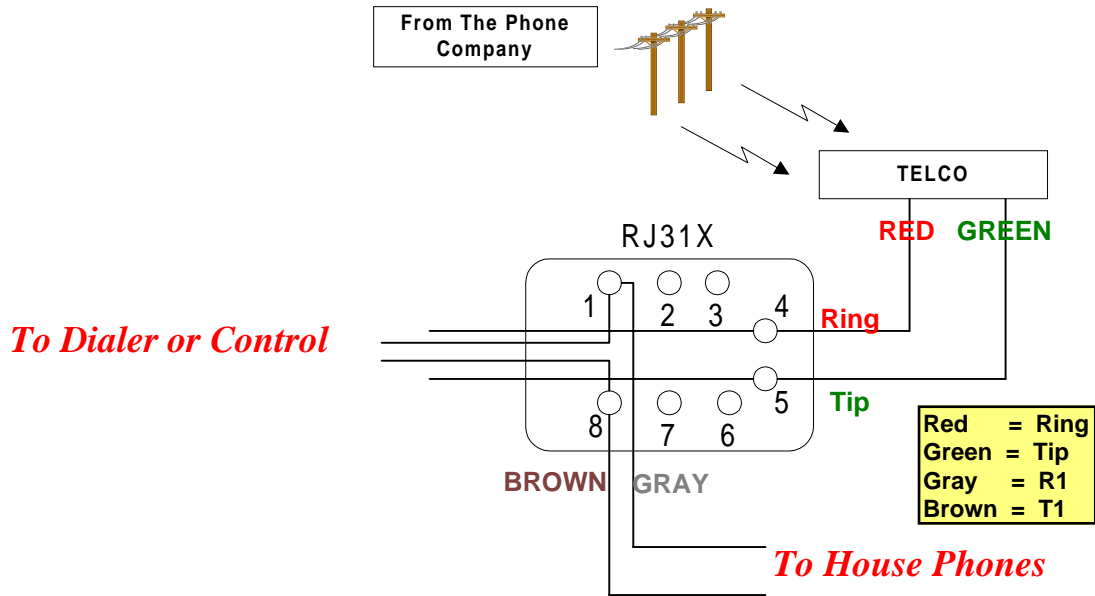


How to wire the RJ-31X



The digital communicator should always be connected upstream from any telephones or telephone equipment such as PBX systems as per NFPA 72. By properly wiring the RJ31X jack and connecting the digital communicator upstream from all other equipment allows the communicator to seize the phone line and disconnect all other devices in use. This will ensure that the communicator has an open phone line to communicate off site.